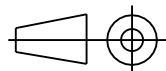
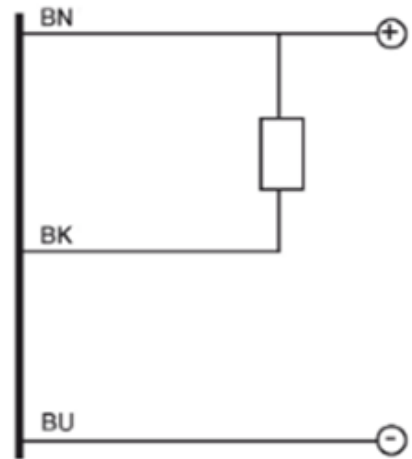
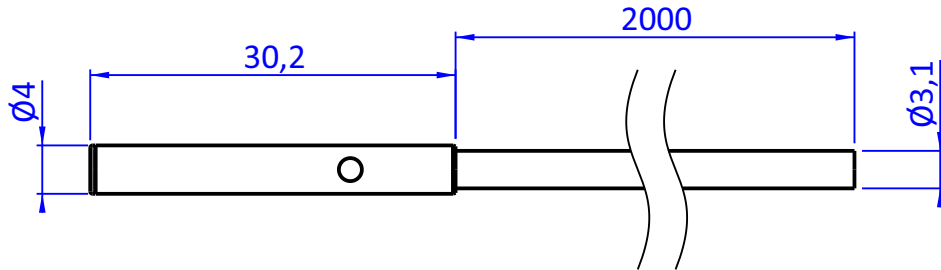


THE PROPERTY OF THE DRAWING IS ESTABLISHED BY LAW. IT IS FORBIDDEN TO PRODUCE OR SHOW IT TO THIRD PART. WITHOUT A WRITTEN AGREEMENT.



DESIGNED FROM
FPS Automation

REVIEW
A

DATE
 01/09/2022

WEIGHT
 0,030kg

CODE
MMD.AC1.AN3A

Format **A4**
UNI 936-76

GENERAL TOLERANCE
 UNI - ISO 2768
 CLASSE f

DESCRIPTION
3 WIRES NPN NORMALLY OPEN MT 2 CABLE